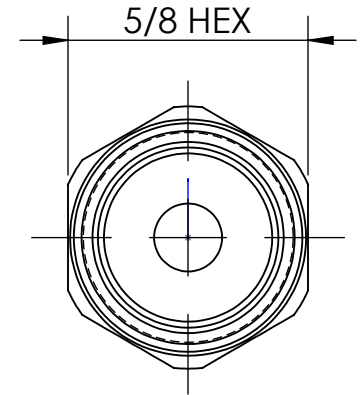
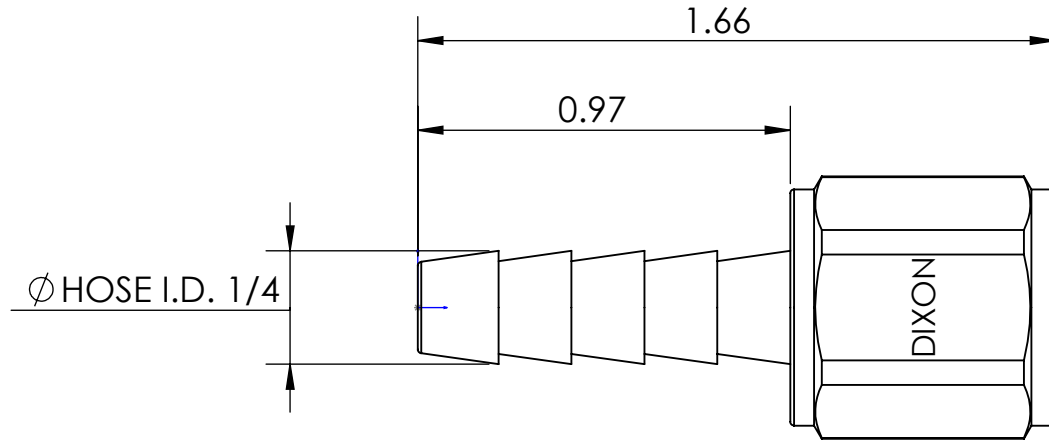
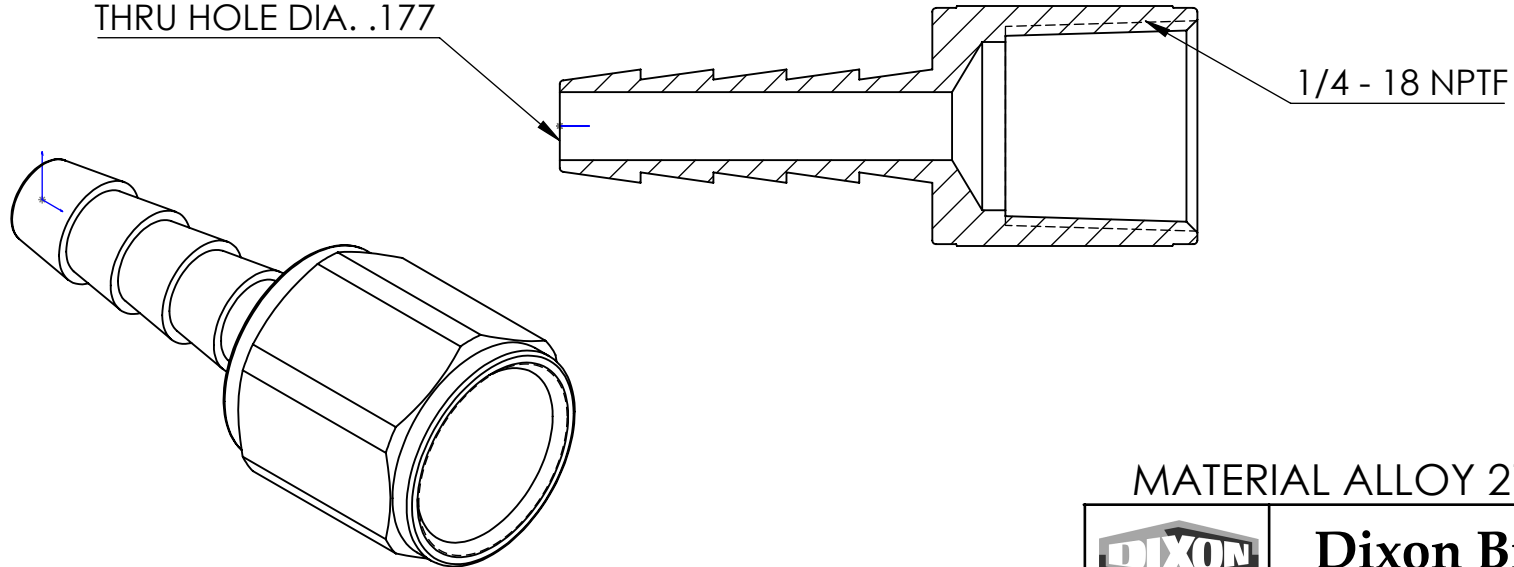


LINE DRAWING NOT FOR PRODUCTION PURPOSES



THRU HOLE DIA. .177



MATERIAL ALLOY 2754 LEAD FREE BRASS



Dixon Brass
Westmont, Illinois USA

DRAWN P. MONAGHAN	DATE 11/11/19
APPROVED	DATE
ECO NO.	

This drawing is owned by Dixon Valve & Coupling Co. and shall be returned upon demand. It is loaned on condition that it shall not be copied or reproduced or submitted to others without the owners consent. In accepting it, subject to this condition, the recipient further agrees that this drawing or any design detail or concept disclosed herein shall not be used in any way detrimental to or in competition with the owner. If the recipient does not agree to the terms of this agreement they shall return this drawing immediately. The information contained in this drawing is subject to change without notice.

TITLE:
1/4-18 FEMALE NPTF X
1/4 HOSE BARB

DO NOT SCALE THIS DRAWING		
SIZE A	DWG. NO. 1040404CLF	REV A