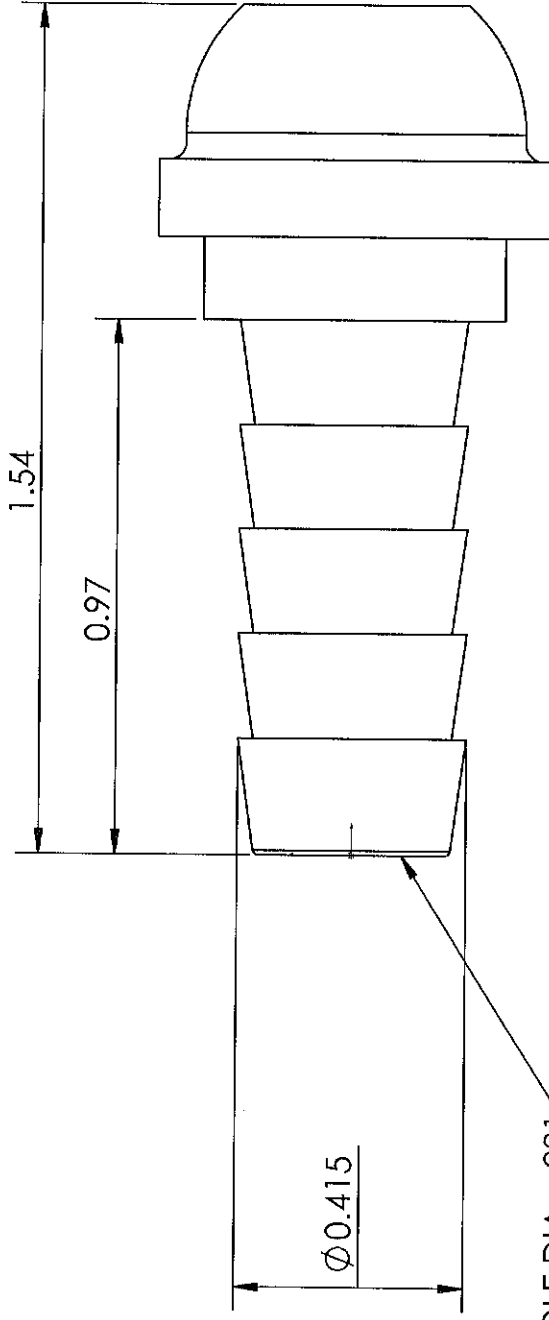
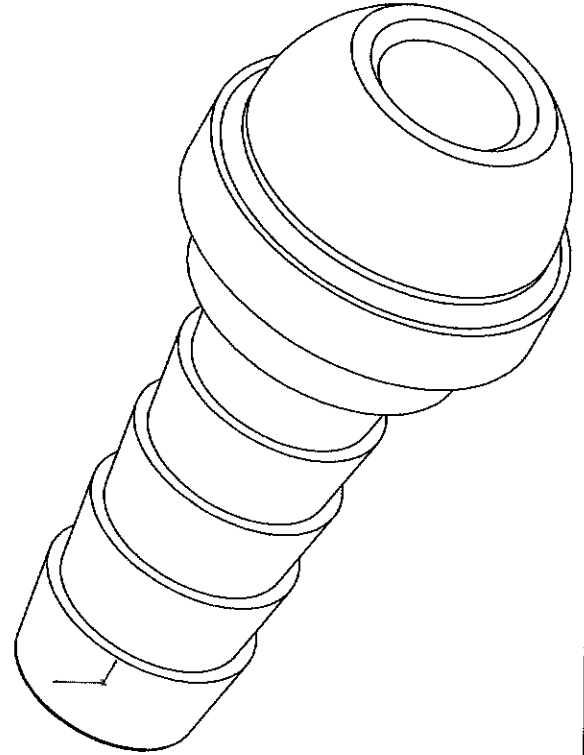


LINE DRAWING NOT FOR PRODUCTION PURPOSES

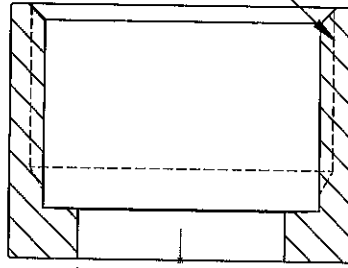
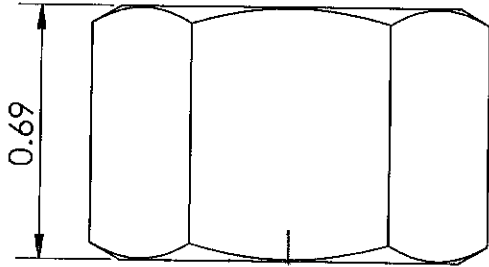
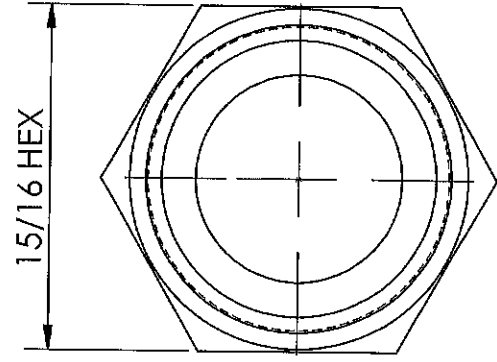


THRU HOLE DIA. .281



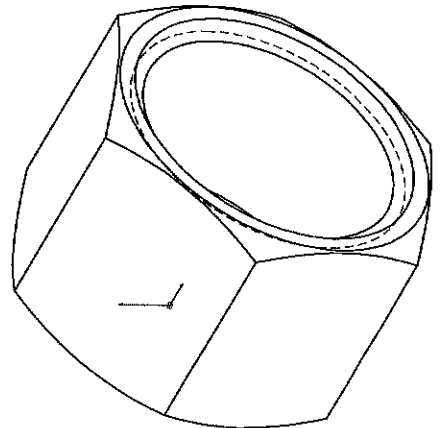
THIS DRAWING CONTAINS INFORMATION DEEMED PROPRIETARY TO DIXON BRASS AND IS TO BE USED ONLY FOR THE PURPOSE FOR WHICH IT IS SUBMITTED, AND FURTHER, SHALL NOT BE COPIED IN WHOLE OR IN PART WITHOUT EXPRESS WRITTEN PERMISSION FIRST OBTAINED FROM DIXON BRASS UNLESS OTHERWISE SPECIFIED.		DATE DRAWN P. MONAGHAN 2/27/14
DIXON The Right Connection <sup>SM</sup>		DATE APPROVED
DIXON Brass Westmont, Illinois USA		ECO NO.
TITLE: 3/8 SWIVEL STEM BALL TYPE		DRAWING NOT REPRODUCED TO SCALE
DIMENSIONS ARE IN INCHES TOLERANCES: ANGLES: +0°30' .X (± 0.15) .XX (± 0.10) .XXX (± 0.05) DIMENSIONS PER ANSI Y14.5		REV A 1240608S C

LINE DRAWING NOT FOR PRODUCTION PURPOSES



(THRU HOLE DIA.)  $\phi 0.56$

1/2 - 14 NPSM  
THREAD



THIS DRAWING CONTAINS INFORMATION DEEMED PROPRIETARY TO DIXON BRASS AND IS SO TO BE USED ONLY FOR THE PURPOSE FOR WHICH IT IS SUBMITTED, AND FURTHER, SHALL NOT BE COPIED IN WHOLE OR IN PART WITHOUT EXPRESS WRITTEN PERMISSION FIRST OBTAINED FROM DIXON BRASS.	
UNLESS OTHERWISE SPECIFIED:	DRAWN DATE
DIMENSIONS ARE IN INCHES	P. MONAGHAN 2/27/14
TOLERANCES:	APPROVED DATE
ANGLES: $\pm 0^{\circ}30'$	ECO NO.
.X ( $\pm 0.15$ )	
.XX ( $\pm 0.10$ )	
.XXX ( $\pm 0.05$ )	
DIMENSIONS PER ANSI Y14.5	
<b>Dixon Brass</b> Westmont, Illinois USA	
TITLE: FEMALE SWIVEL NUT 1/2 - 14 NPSM	
SIZE	DWG. NO.
A	1240608N
REV	D