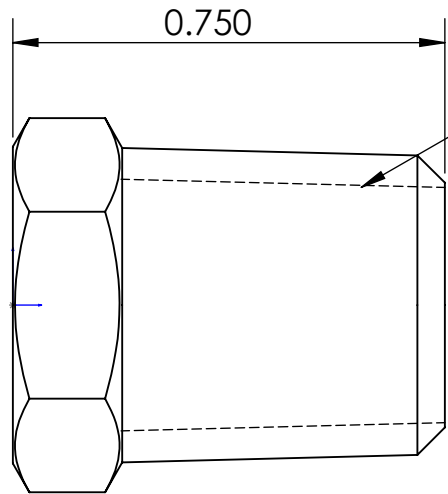
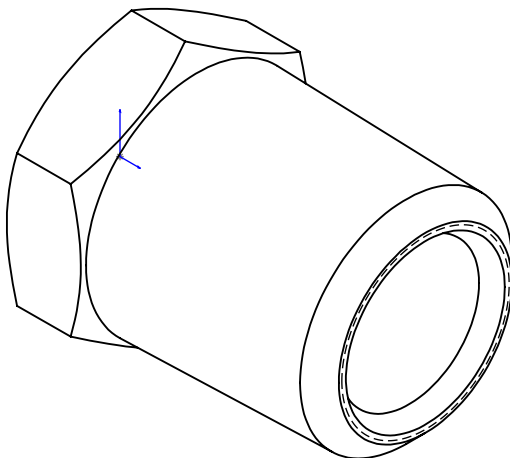
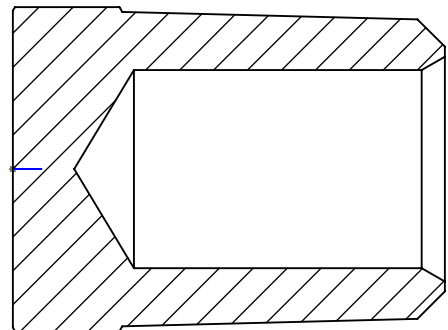
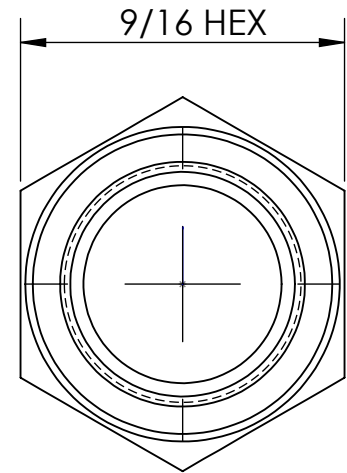


LINE DRAWING NOT FOR PRODUCTION PURPOSES



1/4 - 18 NPTF
THREAD



THIS DRAWING CONTAINS INFORMATION DEEMED PROPRIETARY TO DIXON BRASS AND IS SO TO BE USED ONLY FOR THE PURPOSE FOR WHICH IT IS SUBMITTED, AND FURTHER, SHALL NOT BE COPIED IN WHOLE OR IN PART WITHOUT EXPRESS WRITTEN PERMISSION FIRST OBTAINED FROM DIXON BRASS.				
UNLESS OTHERWISE SPECIFIED:		 The Right Connection™	DRAWN P. MONAGHAN APPROVED	DATE 2/9/15 DATE
DIMENSIONS ARE IN INCHES TOLERANCES: ANGLES: ±0°30' .X (±.015) .XX (±.010) .XXX (±.005)			Dixon Brass Westmont, Illinois USA	ECO NO.
DIMENSIONS PER ANSI Y14.5		TITLE: 1/4 HEX HEAD PLUG	DRAWING NOT REPRODUCED TO SCALE	
		SIZE A	DWG. NO. 1630400C	REV C