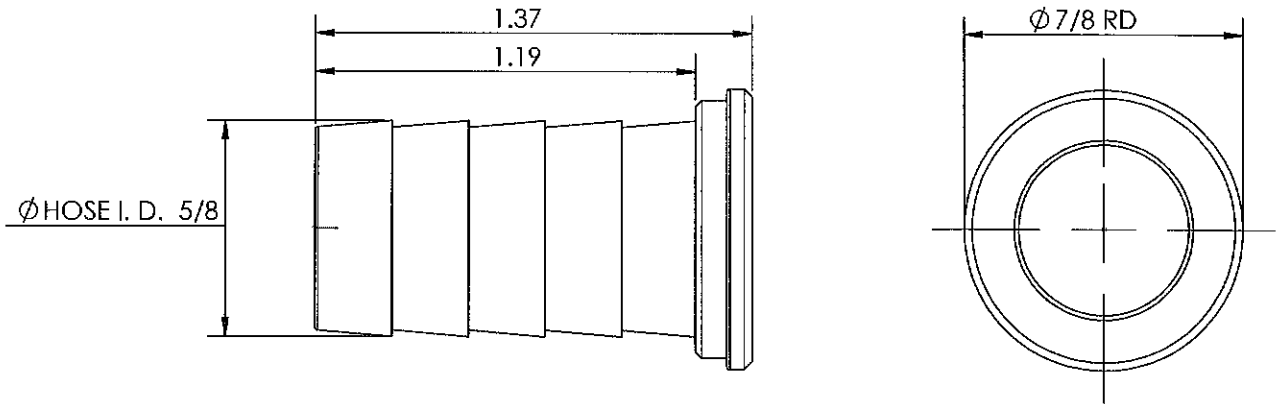
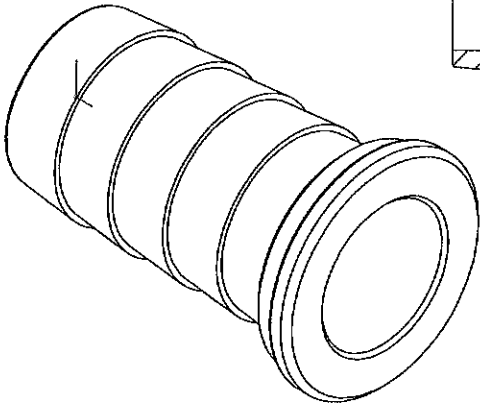
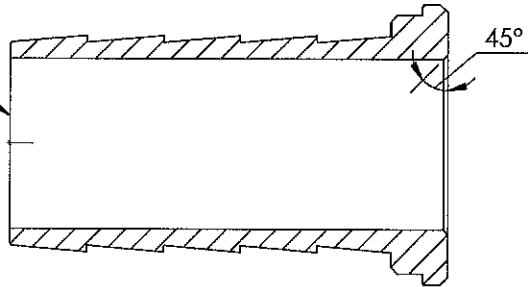



LINE DRAWING NOT FOR PRODUCTION PURPOSES

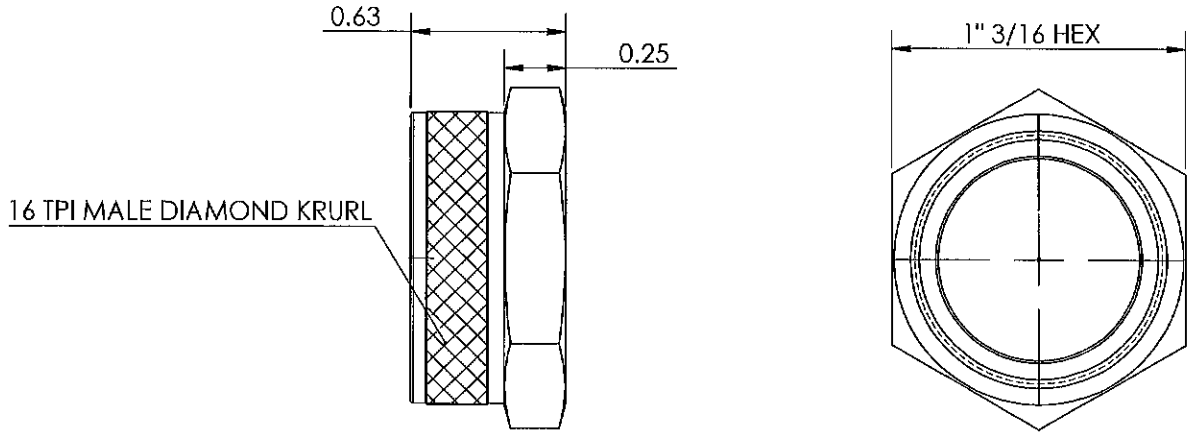


THRU HOLE DIA. .531



THIS DRAWING CONTAINS INFORMATION DEEMED PROPRIETARY TO DIXON BRASS AND IS TO BE USED ONLY FOR THE PURPOSE FOR WHICH IT IS SUBMITTED, AND FURTHER, SHALL NOT BE COPIED IN WHOLE OR IN PART WITHOUT EXPRESS WRITTEN PERMISSION FIRST OBTAINED FROM DIXON BRASS, UNLESS OTHERWISE SPECIFIED:				
DIMENSIONS ARE IN INCHES			Dixon Brass Westmont, Illinois USA	DRAWN P. MONAGHAN DATE 12/28/15
TOLERANCES: ANGLES: ±0°30' .X (±.016) .XX (±.010) .XXX (±.005)				APPROVED ECO NO.
DIMENSIONS PER ANSI Y14.5		TITLE: 5/8 BARB GARDEN HOSE STEM		DRAWING NOT REPRODUCED TO SCALE SIZE DWG. NO. REV A 5911012S F

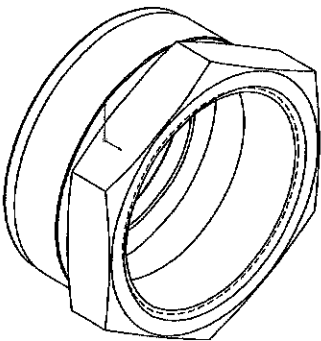
LINE DRAWING NOT FOR PRODUCTION PURPOSES




16 TPI MALE DIAMOND KRURL

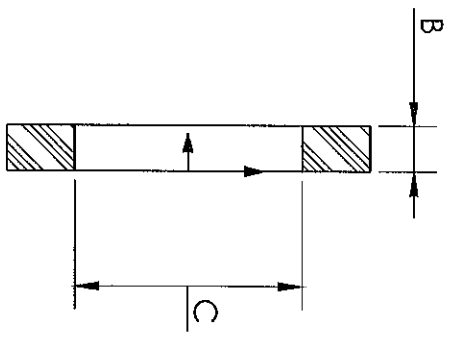
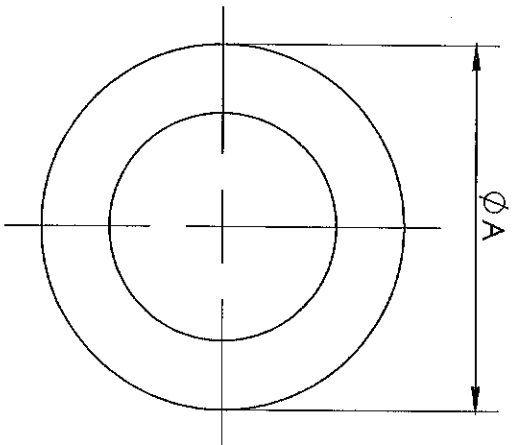
1" 3/16 HEX

3/4 - 11-1/2 NH
THREAD



THIS DRAWING CONTAINS INFORMATION DEEMED PROPRIETARY TO DIXON BRASS AND IS SO TO BE USED ONLY FOR THE PURPOSE FOR WHICH IT IS SUBMITTED, AND FURTHER, SHALL NOT BE COPIED IN WHOLE OR IN PART WITHOUT EXPRESS WRITTEN PERMISSION FIRST OBTAINED FROM DIXON BRASS.				
UNLESS OTHERWISE SPECIFIED:				
DIMENSIONS ARE IN INCHES		 Dixon Brass Westmont, Illinois USA	DRAWN P. MONAGHAN APPROVED	DATE 1/11/16 DATE
TOLERANCES: ANGLES: ±0°30' .X (±.015) .XX (±.010) .XXX (±.005) DIMENSIONS PER ANSI Y14.5			ECO NO.	
TITLE: GARDEN HOSE NUT		DRAWING NOT REPRODUCED TO SCALE		
SIZE: A	DWG. NO. 5911212N		REV: J	

REV	COMMENTS	DATE
B	REDRAWN	5/31/19



MATERIAL	PART NUMBER	A	B	C
BLACK SBR 80 DURO	5911212W	1.000 ±.010	.125 ±.005	.625 ±.010
	5911616W	1.270 ±.020	.125 ±.005	.860 ±.010

MATERIAL	PART NUMBER	A	B	C
BLACK PEROXIDE CURE EPDM NSF61.70 DURO WITH WHITE STRIPE	5911212WEPDM	1.000 ±.010	.125 ±.005	.625 ±.010
	5911616WEPDM	1.270 ±.020	.125 ±.005	.860 ±.010

THIS DRAWING CONTAINS INFORMATION DEEMED PROPRIETARY TO DIXON BRASS AND IS SO TO BE USED ONLY FOR THE PURPOSE FOR WHICH IT IS SUBMITTED, AND FURTHER, SHALL NOT BE COPIED IN WHOLE OR IN PART WITHOUT EXPRESS WRITTEN PERMISSION FIRST OBTAINED FROM DIXON BRASS UNLESS OTHERWISE SPECIFIED.

DIMENSIONS ARE IN INCHES

TOLERANCES:
 ANGLES ±.30°
 .XX (.010)
 .XXX (.005)

DIMENSIONS PER ANSI Y14.5

Dixon Brass
Westmont, Illinois USA

DATE: 5/31/19
 DRAWN BY: P. MONAGHAN
 APPROVED BY: [Signature]

TITLE: GARDEN HOSE WASHER

SIZE: A

DWG. NO.: 591 SERIES

REV: B